



- Flagship directional antenna for **stadiums & high capacity venues**
- Dual-port MIMO with dual-polarization and minimal sidelobes
- **Continuous wideband coverage from 617-6000MHz** in each port; **enabling 5G** and future-proofing your system
- **Fraction of the size** of other solutions
- Tested and excelled in live stadium environment

### Applications & Markets

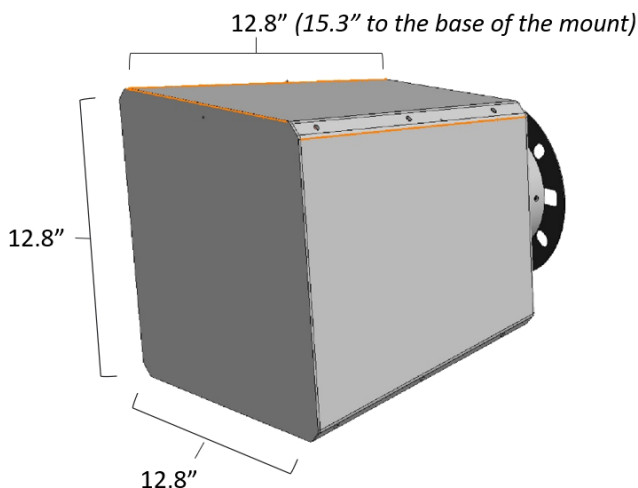
- Stadium and Venue DAS
- Single & Multi-Carrier Systems
- Microcells & Metrocells
- WiFi systems

### The Fractal Advantage™

- Super-wide bandwidth for essentially **all frequency applications** in **single antenna**
- *“Future proof”* design **ready for LTE, 5G, CBRS, LAA, C-band** and other spectrum rollouts
- Excellent **RF performance** with ultra-wide bandwidth
- **Smallest form factor** (both size and weight) for given performance on the market

### Frequency-Dependent Specifications

Frequency (MHz)	617-806	806-915	1695-2200	2200-2700	3500-4200	4200-5100	5100-6000
Peak Gain (dBi)	10	10	15	16	14.5	13	13
Avg Gain (dBi)	8	8	13.5	14	13	11	11
Vertical beamwidth	45°	40°	30°	30°	30°	30°	30°
Horizontal beamwidth	45°	40°	30°	30°	30°	30°	30°
Avg VSWR	<2:1						
PIM, 3rd Order	<-153 dBc						



### Other Specifications

Unit Number	<b>SYMSPV01</b>
Impedance	50 Ω
Polarization	Dual +/-45
Max Power	25 Watts
Antenna Weight	5 lbs (2.3 kg)
Antenna Height x Width	13" x 13"
Antenna Depth	15"
Input Connect.	2 X 4.3-10
Operating Temp.	-40°F to 130°F
Radome Material	Kydex, UL94 V-0 rating
Color	White or Black <i>(Custom color available upon request)</i>

**For inquires, contact us at [sales@fractenna.com](mailto:sales@fractenna.com)**